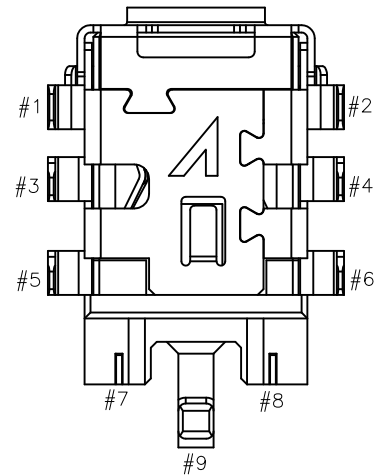
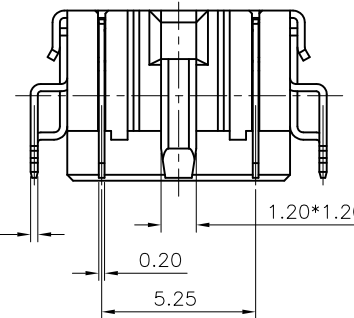
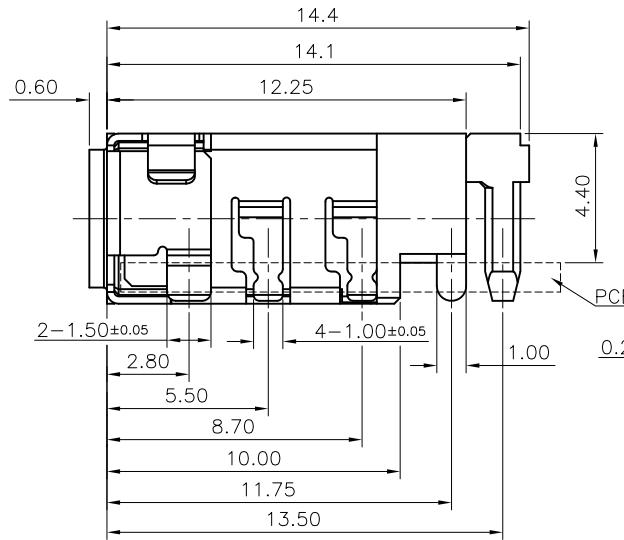
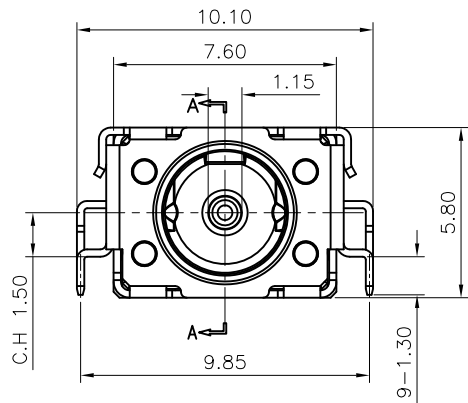


SECTION A-A

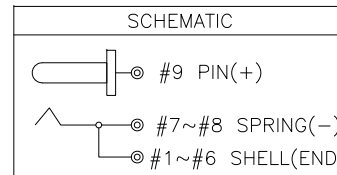
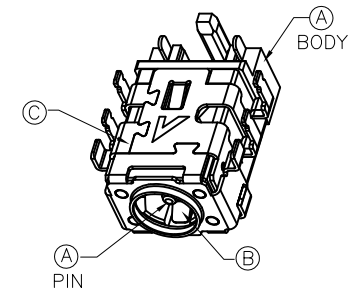


NOTES:

- MATERIAL: SEE TABLE
PLATING: TERMINAL: GOLD PLATED ON CONTACT AREA, AND MATTE-TIN 60~150u" ON SOLDER AREA
SHELL: NICKEL PLATED 60u"MIN.
- THE CAVITY, LOGO MAX HEIGHT 0.10mm ABOVE SURFACE. THE TEXT HEIGHT IS ABOUT 1mm.
- IF ANY DIMENSIONS OR DRAFT ANGLES WEREN'T MARKED, PLS. REFER TO 3D DRAWING
- ELECTRICAL CHARACTERISTICS:
 - RATING: 20V 5A
 - CONTACT RESISTANCE: INITIAL 10mΩ MAX; AFTER 15mΩ MAX
 - DIELECTRIC WITHSTANDING VOTAGE: 500V AC FOR ONE MINUTE
 - INSULATION RESISTANCE: 100MΩ MIN. MEASURED BY 500 VDC
- MECHANICAL CHARACTERISTICS:
 - INSERTION FORCE: 0.8~2.0kg. (INITIAL & AFTER LIFE TEST)
 - WITHDRAWAL FORCE: 0.8~2.0kg. (INITIAL & AFTER LIFE TEST)
- LIFE TEST: 8,000 CYCLES MIN
- SPEC. PLS. REFER TO SPEC-58901-XXXXX-XXX
- PACKAGE PLS. REFER TO 58901-002XX-XXX-PCK
- PART NUMBER

58901-002 0 2 -001

- CKT
- PLATING: 2: GOLD FLASH
 - PACKING: 0: TAPE & REEL

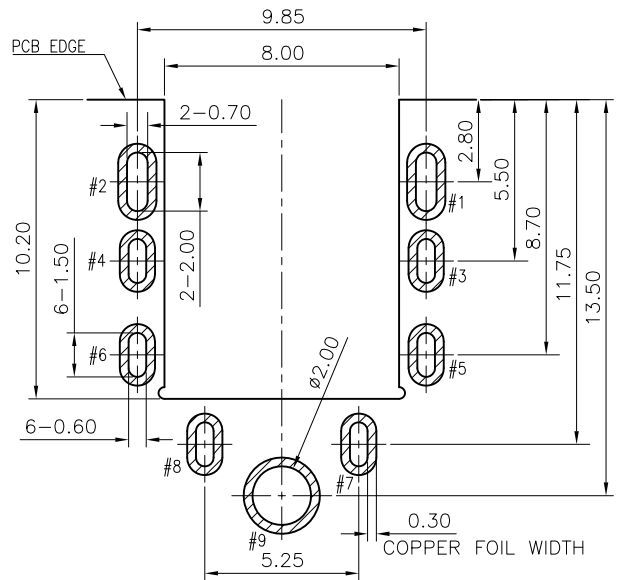


C	SHELL	1	SUS304-1/2H, 0.25T	NICKEL PLATED
B	SIGNAL	1	C5210-EH, 0.2T	TIN PLATED
A	INSERT MOLDING	1	PIN:C2680-H, 1.2T	GOLD FLASH
		1	BODY:PA4T+30%GF UL94V-0	BLACK
NO	DESCRIPTION	Q'TY	MATERIAL	PLATING & COLOR

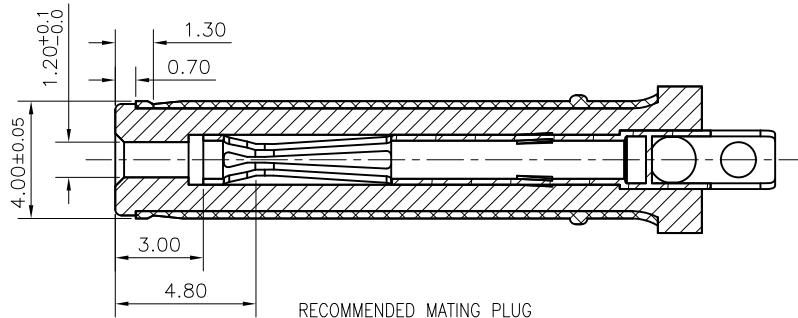
一般公差
TOLERANCES
X. ±0.5 XX ±0.15
X ±0.25 XXX ±0.1
ANGLES ±2°

宏致電子股份有限公司
Aces Electronics Co.,Ltd.

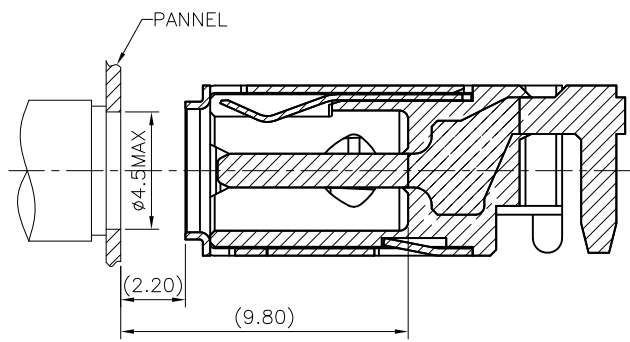
檢驗尺寸標示	品名 (TITLE) 4ø DC POWER JACK (CH:1.5mm)	製圖 (DR) '15/11/27 MARK-C
SYMBOLS ① ② INDICATE CLASSIFICATION DIMENSION	圖號 (DWG NO.) 58901-00202-001	審核 (CHKD) BRUCE
① MARK IS CRITICAL DIM. ② MARK IS MAJOR DIM.	核准 (APPD) JACK	
表面處理 (FINISH)	比例 (SCALE) 4:1	單位 (UNITS) mm
	張數 (SHEET) 1 OF 3	SIZE A4
		REV B



RECOMMENDED PCB LAYOUT(TOP VIEW)
(THICKNESS=1.0±0.10mm)
(TOLERANCE=±0.05mm)



RECOMMENDED MATING PLUG
(型號 4012TV0225-1T00-04)

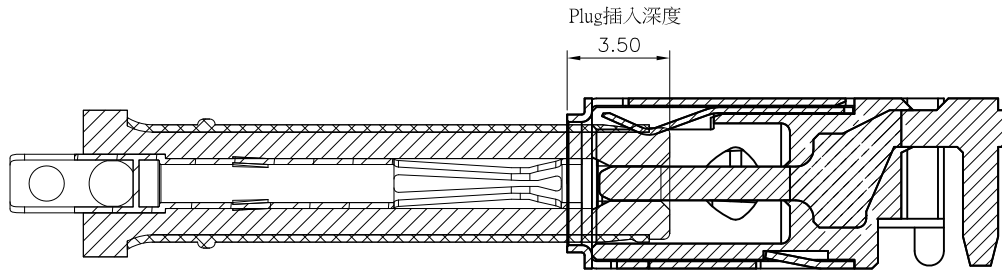


MATING DRAWING (REFERENCE)

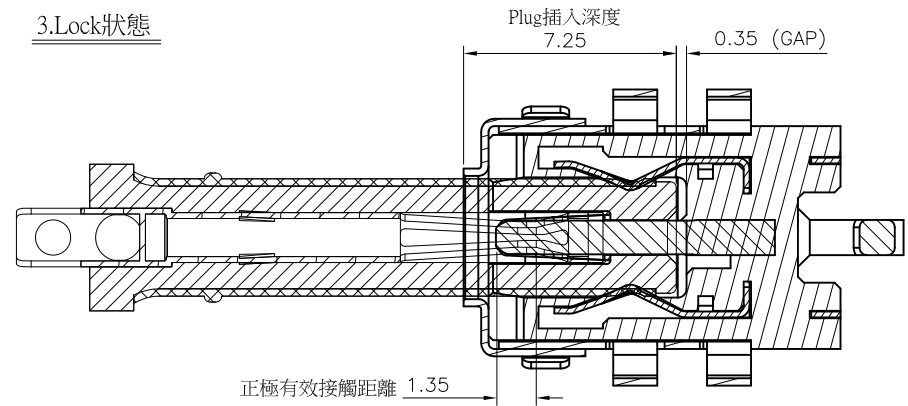
一般公差 TOLERANCES X. ±0.5 XX ±0.15 X ±0.25 .XXX ±0.1 ANGLES ±2°		宏致電子股份有限公司 Aces Electronics Co.,Ltd.		
檢驗尺寸標示 SYMBOLS Ⓢ Ⓣ INDICATE CLASSIFICATION DIMENSION Ⓢ MARK IS CRITICAL DIM. Ⓣ MARK IS MAJOR DIM.		品名 (TITLE) 4φ DC POWER JACK (CH:1.5mm)		製圖 (DR) '15/11/27 MARK-C
		圖號 (DWG NO.) 58901-00202-001		審核 (CHKD) BRUCE
表面處理 (FINISH)		比例 (SCALE) 4:1	單位 (UNITS) mm	核准 (APPD) JACK
				張數 (SHEET) 2 OF 3
				尺寸 (SIZE) A4
				版次 (REV) B



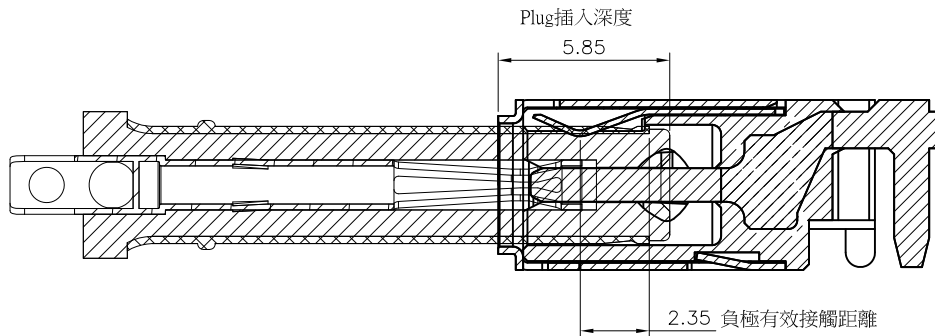
1.負極接觸狀態



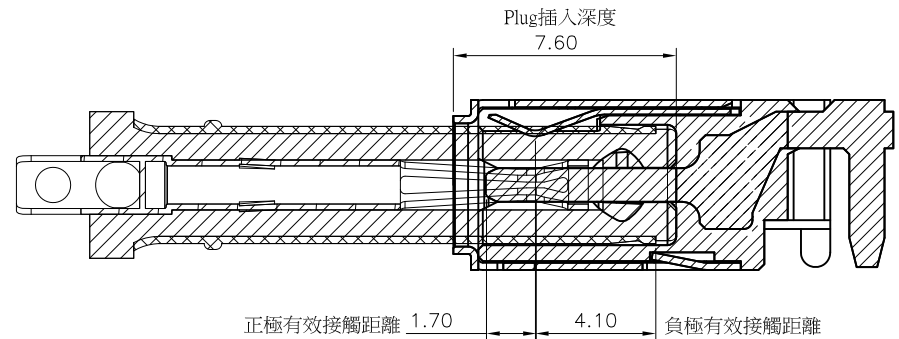
3.Lock狀態



2.正極接觸狀態



4.Plug插到底狀態



一般公差 TOLERANCES X. ±0.5 XX ±0.15 X ±0.25 XXX ±0.1 ANGLES ±2°		宏致電子股份有限公司 Aces Electronics Co.,Ltd.	
檢驗尺寸標示 SYMBOLS INDICATE CLASSIFICATION DIMENSION MARK IS CRITICAL DIM. MARK IS MAJOR DIM.		品名 (TITLE) 4φ DC POWER JACK (CH:1.5mm)	製圖 (DR) '15/11/27 MARK-C 審核 (CHKD) BRUCE
		圖號 (DWG NO.) 58901-00202-001	核准 (APPD) JACK
表面處理 (FINISH)		比例 (SCALE) 4:1	單位 (UNITS) mm
			張數 (SHEET) 3 OF 3
			尺寸 (SIZE) A4
			版數 (REV) B